

5-Year Limited Warranty

RadianceRail® Gate Kit

Statement of Warranty: This warranty is given to the original purchaser, residential or commercial as the case may be ("Purchaser"), of the TimberTech RadianceRail™ Gate Kit (consisting of aluminum posts and fasteners). For purposes of this warranty, a residential Purchaser shall refer to a single-family residential homeowner and a commercial Purchaser shall refer to any Purchaser other than a single-family residential homeowner.

TimberTech Limited ("TimberTech") warrants to Purchaser that, for a period of five (5) years from the date of the original purchase (the "Term"), under normal use and service conditions, that the Gate Kit materials will be free from material defects in workmanship and materials, and will not corrode due to exposure to normal environmental conditions.

All warranties are subject to the exclusions, limitations and restrictions set forth below.

Obtaining Warranty Performance: If Purchaser discovers a defect in the RadianceRail™ Gate Kit during the Term, Purchaser must, within thirty (30) days from the discovery of the alleged defect, but no later than the end of the Term, notify TimberTech in writing, at the following address:

TimberTech Limited
894 Prairie Avenue
Wilmington, Ohio 45177
Attn: Claims Department

Purchaser must include in this notification proof of purchase and a statement explaining the defect. TimberTech may request additional information. After reviewing all information, TimberTech will make a determination regarding the validity of such claim. If TimberTech determines that Purchaser's claim is valid, TimberTech will, at its option, either replace the defective part or refund the portion of the purchase price paid by Purchaser for such defective part (not including the cost of its initial installation). This warranty shall not cover, and TimberTech shall not be responsible for, costs and expenses incurred with respect to the removal of any defective RadianceRail™ Gate Kit parts, or the installation of replacement materials, including but not limited to, labor and freight. The foregoing remedies are the SOLE AND EXCLUSIVE REMEDY FOR BREACH OF ANY WARRANTY.

Transfer of Warranty: This warranty may be transferred one (1) time within the Term to a subsequent purchaser of the property upon which the RadianceRail™ Gate Kit was originally installed. Transfer of this warranty does not extend the Term of the warranty.

Exclusions from Warranty Coverage: TimberTech does not warrant against and is not responsible for, and no implied warranty shall be deemed to cover, any product failure, product malfunction, or damages attributable to: (1) improper installation of the RadianceRail™ Gate Kit and/or failure to abide by TimberTech's installation guidelines; (2) use of the RadianceRail™ Gate Kit beyond normal use, or in an application not recommended by the TimberTech installation guidelines and local building codes; (3) movement, distortion, collapse or settling of the ground or the supporting structure on which the RadianceRail™ Gate Kit is installed; (4) any act of God (such as flooding, hurricane, earthquake, lightning, etc.), environmental condition (such as air pollution, mold, mildew, etc.), or staining from foreign substances (such as dirt, grease, oil, etc.); (5) variations or changes in color of the RadianceRail™ Gate Kit; (6) normal weathering due to exposure to sunlight, weather and atmosphere which can cause colored surfaces to, among other things, flake, chalk, or accumulate dirt and stains; or (7) improper handling, storage, abuse or neglect of the RadianceRail™ Gate Kit by Purchaser, the transferee or third parties.

Purchaser is solely responsible for determining the effectiveness, fitness, suitability and safety of the RadianceRail™ Gate Kit in connection with its use in any particular application.

ALL IMPLIED WARRANTIES, INCLUDING BUT NOT LIMITED TO THE IMPLIED WARRANTY OF MERCHANTABILITY AND IMPLIED WARRANTY OF FITNESS FOR A PARTICULAR PURPOSE, ARE LIMITED IN DURATION TO THE TWENTY-FIVE YEAR DURATION OF THE RESIDENTIAL LIMITED WARRANTY AND ARE DISCLAIMED FOR ALL PERIODS THEREAFTER.

Limitations: DISCLAIMER OF WARRANTIES (RESIDENTIAL PURCHASER): EXCEPT FOR THE EXPRESS WRITTEN WARRANTY CONTAINED HEREIN, TIMBERTECH MAKES NO OTHER EXPRESS WARRANTIES, GUARANTEES OR INDEMNITIES, ARISING BY COURSE OF DEALING, USAGE OF TRADE OR CUSTOM, AND ALL SUCH OTHER EXPRESS WARRANTIES, GUARANTEES AND INDEMNITIES ARE HEREBY DISCLAIMED, OVERRIDDEN AND EXCLUDED FROM THIS TRANSACTION FOR THE WARRANTY TERM AND BEYOND THE WARRANTY TERM.

Limitations: DISCLAIMER OF WARRANTIES (COMMERCIAL PURCHASERS): EXCEPT FOR THE EXPRESS WRITTEN WARRANTY CONTAINED HEREIN, TIMBERTECH MAKES NO OTHER WARRANTIES, GUARANTEES OR INDEMNITIES, WHETHER EXPRESS OR IMPLIED, ARISING BY LAW, COURSE OF DEALING, USAGE OF TRADE, CUSTOM OR OTHERWISE, INCLUDING BUT NOT LIMITED TO THE IMPLIED WARRANTY OF MERCHANTABILITY AND IMPLIED WARRANTY OF FITNESS FOR A PARTICULAR PURPOSE, AND ALL SUCH OTHER WARRANTIES, GUARANTEES AND INDEMNITIES ARE HEREBY DISCLAIMED, OVERRIDDEN AND EXCLUDED FROM THIS TRANSACTION FOR THE WARRANTY TERM AND BEYOND THE WARRANTY TERM.

Some states do not allow limitations on how long an implied warranty lasts so the above limitation may not apply to you.

LIMITATION OF REMEDIES AND EXCLUSION OF CONSEQUENTIAL AND INCIDENTAL DAMAGES: TIMBERTECH'S LIABILITIES ARE LIMITED SOLELY AND EXCLUSIVELY TO THE OBLIGATIONS SPECIFICALLY UNDERTAKEN HEREIN, **AND UNDER NO CIRCUMSTANCES WILL TIMBERTECH BE LIABLE OR OBLIGATED FOR ANY INCIDENTAL, CONSEQUENTIAL, INDIRECT, SPECIAL, PUNITIVE OR ANY OTHER DAMAGES OF ANY KIND WHATSOEVER** (INCLUDING, BUT NOT LIMITED TO, LOST PROFITS, LOST SALES, LOSS OF GOODWILL, USE OF MONEY, USE OF GOODS, STOPPAGE OF WORK, OR IMPAIRMENT OF ASSETS), WHETHER FORESEEABLE OR UNFORESEEABLE, ARISING OUT OF BREACH OR FAILURE OF EXPRESS OR IMPLIED WARRANTY, BREACH OF CONTRACT, FRAUD, MISREPRESENTATION, NEGLIGENCE, STRICT LIABILITY IN TORT OR OTHERWISE, EXCEPT AND ONLY TO THE EXTENT THIS LIMITATION IS SPECIFICALLY PRECLUDED BY APPLICABLE LAW OF MANDATORY APPLICATION. TIMBERTECH'S LIABILITY WITH RESPECT TO DEFECTIVE PRODUCTS SHALL IN NO EVENT EXCEED THE REPLACEMENT OF SUCH PRODUCTS OR REFUND OF THE PURCHASE PRICE, AS DESCRIBED ABOVE.

Some states do not allow the exclusion or limitation of incidental or consequential damages, so the above limitation or exclusion may not apply to you. This warranty gives you specific legal rights, and you may also have other rights that vary from state to state.

Miscellaneous: This writing is understood and intended to be the final expression of the parties' agreement and is a complete and exclusive statement of the terms and conditions with respect thereto, superseding all prior agreements or representations, oral or written, and all other communication between the parties relating to the subject matter of this agreement. This warranty may not be altered or amended except in a written instrument signed by TimberTech and Purchaser or permitted transferee. No agent, employee or any other party is authorized to make any warranty in addition to that made in this agreement and TimberTech shall not be bound by any such statements other than those contained in the warranty.

This warranty is effective for purchases (Residential or Commercial, as the case may be) made on or after August 1st, 2011.

Copyright (c) 2011 TimberTech.

RadianceRail® Gate Kit

Visit www.timbertech.com/installation to view TimberTech installation videos. Consult your local building codes for gate requirements

The RadianceRail Gate Kit is a convenient way to add a premium gate to your railing system.

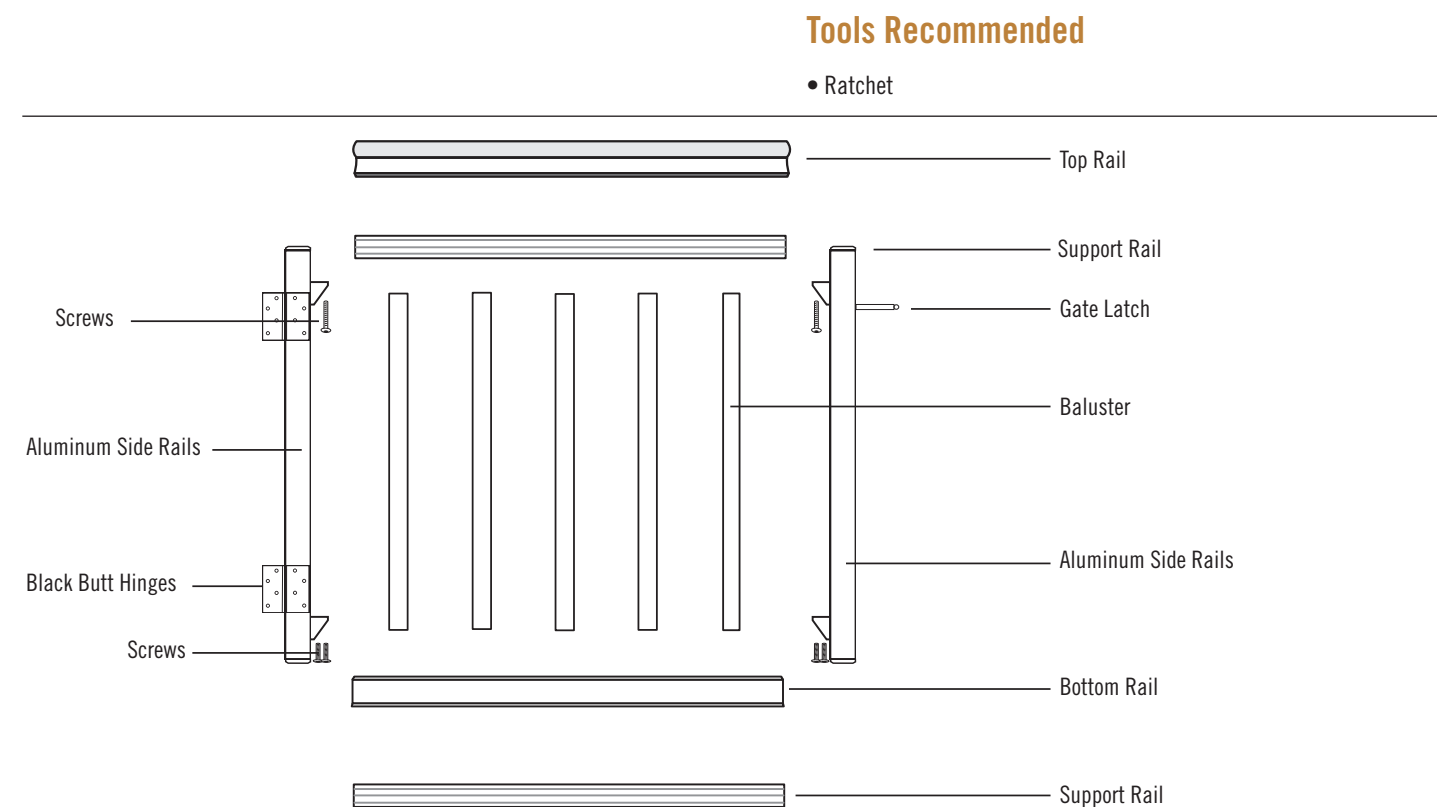
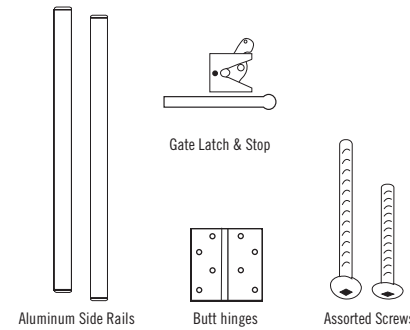
Important Information

- The RadianceRail Gate Kit is designed to work with RadianceRail only.
- The maximum width of a gate built with a Gate Kit is 48".
- Gates should always swing away from the stairs when opening.
- Be sure to install on a post that is plumb; this is critical for the gate to operate properly.
- Installation is easiest with two people.



Components Needed For Installing One RadianceRail Gate with the RadianceRail Gate Kit										
RadianceRail Rail Pack	<table border="1"> <tr> <td rowspan="2">RadianceRail Rail Pack</td> <td>1 - Top Rail</td> </tr> <tr> <td>1 - Bottom Rail</td> </tr> <tr> <td colspan="2">2 - Support Rails</td> </tr> <tr> <td colspan="2">T-20 Torx driver bit</td> </tr> <tr> <td colspan="2">*Additional items are included but are not needed.</td> </tr> </table>	RadianceRail Rail Pack	1 - Top Rail	1 - Bottom Rail	2 - Support Rails		T-20 Torx driver bit		*Additional items are included but are not needed.	
RadianceRail Rail Pack	1 - Top Rail									
	1 - Bottom Rail									
2 - Support Rails										
T-20 Torx driver bit										
*Additional items are included but are not needed.										
RadianceRail Baluster Pack	<table border="1"> <tr> <td>Square Balusters - 13 in 6" Kits - 18 in 8" Kits</td> <td>Baluster Screw Kit-6" Kits 13 - #8x2" Coated Screws 13 - #8x3" Coated Screws</td> </tr> <tr> <td>Baluster Screw Kit</td> <td>Baluster Screw Kit-8" Kits 18 - #8x2" Coated Screws 18 - #8x3" Coated Screws</td> </tr> </table>	Square Balusters - 13 in 6" Kits - 18 in 8" Kits	Baluster Screw Kit-6" Kits 13 - #8x2" Coated Screws 13 - #8x3" Coated Screws	Baluster Screw Kit	Baluster Screw Kit-8" Kits 18 - #8x2" Coated Screws 18 - #8x3" Coated Screws					
Square Balusters - 13 in 6" Kits - 18 in 8" Kits	Baluster Screw Kit-6" Kits 13 - #8x2" Coated Screws 13 - #8x3" Coated Screws									
Baluster Screw Kit	Baluster Screw Kit-8" Kits 18 - #8x2" Coated Screws 18 - #8x3" Coated Screws									
RadianceRail Gate Kit	2 - Aluminum Side Rails (Brackets Attached) 2 - 4" Black Butt Hinges 1 - Gate Latch and Stop 8 - 3/16" x 1" Self-Drilling Flat Head Screws (black) 8 - 3/16" x 2" Flat Head Screws (black) 2 - 3/16" x 3/4" Self-Drilling Screws (black) 4 - 1/4" x 1" Screws (frame color) 2 - 1/4" x 2" Screws (frame color)									

Component Dimensions



Installing a Gate

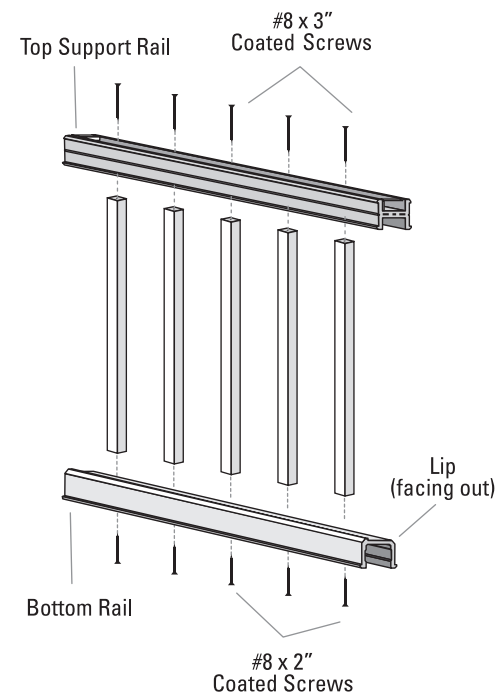
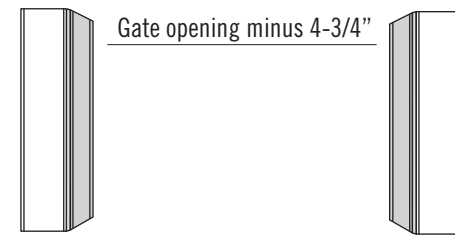
- Consult your local building codes for gate requirements.

1 Prepare Railing

- Measure the distance between the posts near the top and bottom of the posts. As long as both posts are plumb, this should be the same distance.
- All rails should be cut 4-3/4" shorter than the opening for your gate.
- Cut the Top Rail and bottom Support Rail to length.
- Determine baluster layout on top Support Rail and Bottom Rail. To maximize the baluster spacing between the end balusters and the aluminum Side Rails, center the rail measurement on a pre-drilled hole or halfway between two pre-drilled holes. The space between the end balusters and the aluminum Side Rails should not exceed 4" or should not be less than 1-1/2". Cut top Support Rail and Bottom Rail to length.

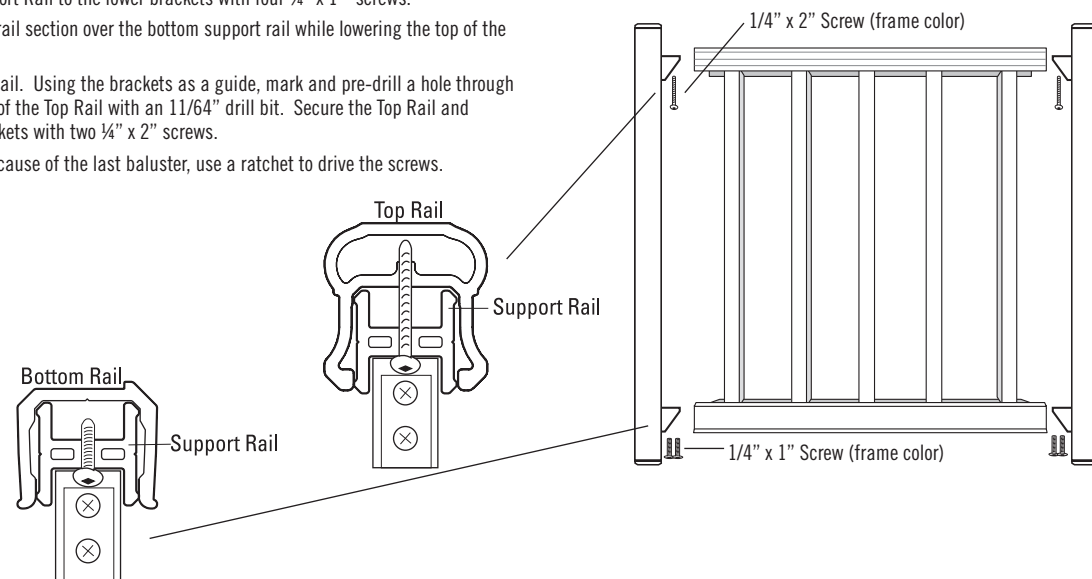
2 Assemble Railing Panel

- Position balusters along the top Support Rail, aligning them with the pre-drilled holes. Secure using #8 x 3" coated screws.
- Position Bottom Rail, using the lip to help align Balusters. Secure using #8 x 2" coated screws.
- Tip for Bottom Rail: partially drive screws into all balusters before driving them in completely.



3 Attach Aluminum Side Rails

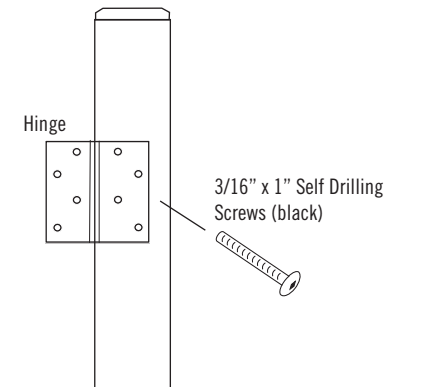
- On a flat surface, position the Side Rails on both sides of the assembled rail section. Place the bottom Support Rail over the lower brackets as shown.
- Using the brackets as a guide, mark and pre-drill two holes in the bottom Support Rail at each end using a 11/64" drill bit. Attach the bottom Support Rail to the lower brackets with four 1/4" x 1" screws.
- Place the Bottom Rail of the assembled rail section over the bottom support rail while lowering the top of the section onto the upper brackets.
- Place the Top Rail over the top Support Rail. Using the brackets as a guide, mark and pre-drill a hole through the top Support Rail and lower cross rib of the Top Rail with an 11/64" drill bit. Secure the Top Rail and assembled rail section to the upper brackets with two 1/4" x 2" screws.
- If access is restricted to this bracket because of the last baluster, use a ratchet to drive the screws.



Installing a Gate: Continued

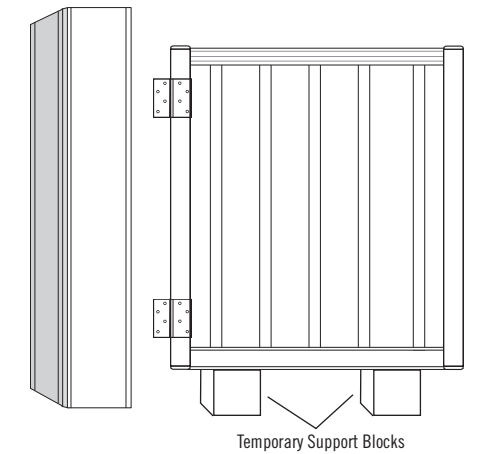
4 Attach Hinges to Aluminum Side Rails

- After test fitting the gate to the gate opening, determine the desired hinge location. Hinges can be placed either in the open position when the gate is closed or in the closed position when the gate is closed (typical for a door).
- Drill 7/64" pilot holes and use 3/16" x 1" self-drilling screws to attach hinges to the aluminum Side Rails.



5 Attach Gate to Post

- After positioning the gate to the desired height, pre-drill the Post Cover using a 7/64" drill bit. Attach the gate to the post using the 3/16" x 2" flat head screws, installing the screws closer to the center of the post first.
- Install Tip: Add temporary support blocking under the gate to help hold the gate at correct height.



6 Attach Latch and Latch Stop

- Position the gate latch on the Post Cover. Pre-drill the Post Cover with a 7/64" drill bit. Install the Latch with the Latch lever up, using the provided screws. Position the Latch Stop on the aluminum Side Rail. Drill a pilot hole in the Side Rail with a 7/64" drill bit. Attach the Latch Stop using the 3/16" x 3/4" self drilling screws.

