

# DRINK RAIL

## INSTALLATION GUIDE



### FOR IMPRESSION RAIL EXPRESS<sup>®</sup>

INSTALLING DRINK RAIL ON **LEVEL PANELS**..... 4  
INSTALLING DRINK RAIL ON **STAIR PANELS**..... 8



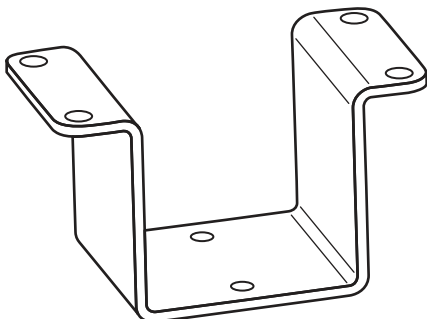
## IMPORTANT INFORMATION

- Please read all instructions completely before starting any part of the installation. Always make sure to visit [www.TimberTech.com](http://www.TimberTech.com) to ensure you are viewing the most current installation instructions, care and cleaning, technical information and more.
- TimberTech Railing should be installed using the same good building principles used to install wood or composite railing and in accordance with the local building codes and the installation guidelines included below.
- The AZEK Company accepts no liability or responsibility for the improper installation of this product.
- TimberTech Railing may not be suitable for every application and it is the sole responsibility of the installer to be sure that the Railing is fit for the intended use. Since all installations are unique, it is also the installer's responsibility to determine specific requirements in regards to each Rail application.
- The AZEK Company recommends that all applications be reviewed by a licensed architect, engineer or local building official before installation. If you have any questions or need further assistance, please call AZEK Customer Service at 877-ASK-AZEK (877-275-2935), or visit our website at [www.TimberTech.com](http://www.TimberTech.com).
- TimberTech Railing is tested as a whole system and should be used that way. It is not intended to be used in conjunction with other railing systems or fasteners.
- The following Installation Guidelines are applicable only for installation of TimberTech Impression Rail Express<sup>®</sup> Railing.
- **IMPORTANT:** Make sure the DRIVE TOOL/DRILL is configured or set to use the SCREW setting when driving and/or tightening all FASTENERS. It is very Important not to overdrive fasteners. The use of Impact type drill drivers can increase the risk of overdriving fasteners.
- **SAFETY:** Always wear goggles when handling, cutting, drilling and fastening materials.
- Failure to install this product in accordance with applicable building codes and TimberTech's written Impression Rail Express<sup>®</sup> Install Guide may lead to personal injury, affect rail system performance and void the product warranty.
- The buildup or generation of static electricity is a naturally occurring phenomenon in many plastic based products such as carpeting, upholstery, and clothing, and can occur on alternative decking under certain environmental conditions. This static electricity can discharge once contact is made with hardware, railing, or other conductors of electricity.

**NOTE:** IF INSTALLING POST LIGHTING, WIRING MUST BE INSTALLED PRIOR TO SECURING POSTS TO DECK/STAIR SURFACE AND INSTALLING TOP RAILS.

It is the responsibility of the installer to meet all local code requirements and obtain all required building permits. The installer should determine and implement appropriate installation techniques for each installation situation. The AZEK Company or its reseller shall not be held responsible for improper or unsafe installations.

## IMPRESSION RAIL EXPRESS<sup>®</sup> DRINK CLIP

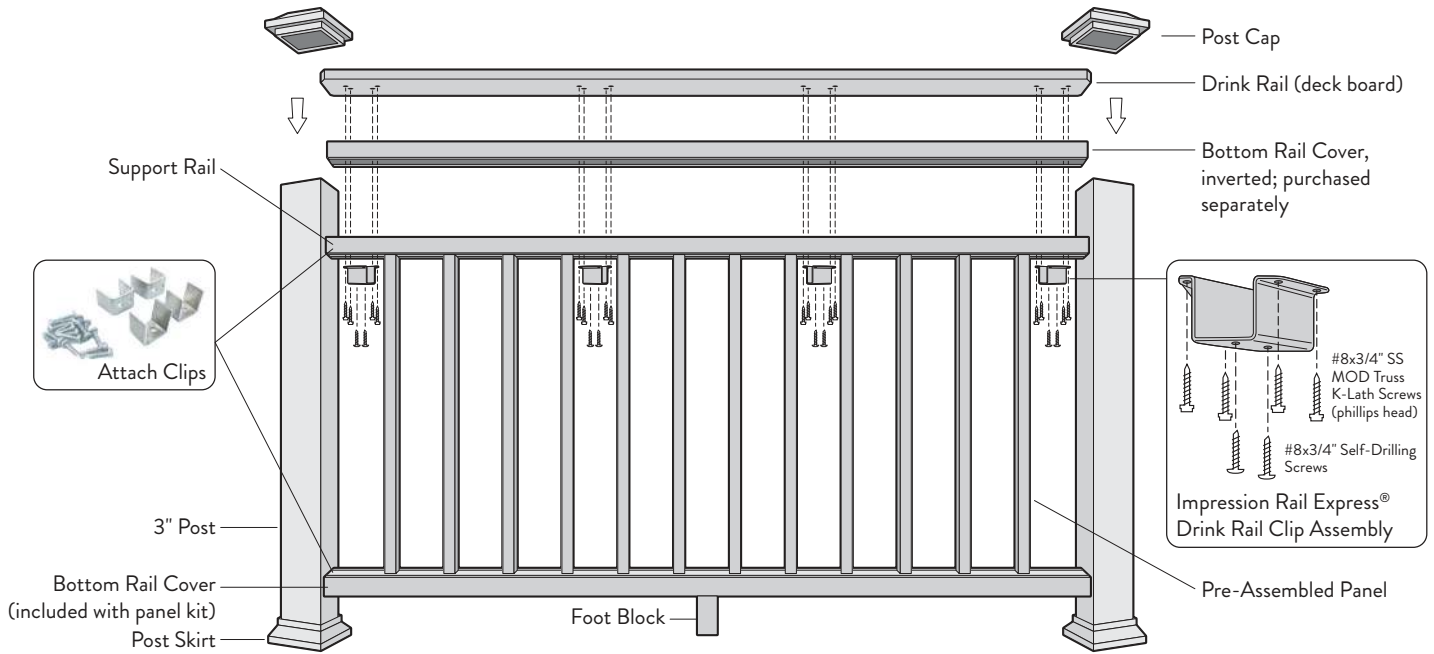


## IMPORTANT NOTE:

- **Prior to construction, check with your local regulatory agency for special code requirements in your area.**
- Common railing height is 36" or 42".
- TimberTech Impression Rail Express<sup>®</sup> 8' and 6' Rails are designed not to exceed 8' and 6' from center of post to center of post, using 3" posts, respectively.
- For all other applications, consult a design professional or a TimberTech Railing representative for more information.
- Posts must be installed plumb and level with each other. This is specifically critical for Over-the-Post applications.
- Read instructions completely to get an understanding of how the product goes together and how each piece affects the other.
- Not compatible with Impression Rail Express Glass Infill panels.

# INSTALLING DRINK RAIL

## FOR IMPRESSION RAIL EXPRESS®



COMPONENTS NEEDED FOR INSTALLING ONE SECTION OF DRINK RAIL	
COMPONENT	INCLUDES
Impression Rail Express® Over the Post Panel Kit	(1) Pre-Assembled Panel (8' or 6' length)
Impression Rail Express® Bottom Rail Cover	(1) Bottom Rail Cover (8' or 6' length) to be used as a top rail cover
Impression Rail Express® Drink Rail Kit (for two 8' panels or three 6' panels)	(12) Drink Rail Clips (24) #8x3/4" Self-Drilling Screws (48) #8x3/4" SS MOD Truss K-Lath Screws (phillips head)
Drink Rail	(1) Drink Rail (deck board) not included – must be purchased separately.

TOOLS REQUIRED:	
• Miter Saw	• #2 Square Drive Bit
• Tape Measure	• #2 Phillips Head Drive Bit
• Cordless Drill	


**⚠ IMPORTANT NOTES:**

TimberTech Impression Rail Express panels are available in 8' and 6' lengths.


For Deck boards, visit: <https://www.timbertech.com/products/decking>

The Drink Rail system works with all full profile, square-shoulder deck boards, but **NOT** with scalloped boards (i.e. Terrain, Prime, Prime+ or ReliaBoard).

**DECK BOARDS**



✓ **YES**  
FULL PROFILE



✗ **NO**  
SCALLOPED

Visit [www.timbertech.com/installation](http://www.timbertech.com/installation) to view installation videos.

Consult your local building codes for guard and handrail requirements.

**⚠ IMPORTANT NOTES:**

It is **not recommended** to use narrow width (3.5") deck boards in Over-the-Post applications.

**Do not use** wide width (7.5") deck boards in Between-the-Post applications.

**These instructions cover installation of the Drink Rail (Deck board Top Rail) on Impression Rail Express<sup>®</sup> Level Panels.**

These instructions **DO NOT** cover the entire level rail assembly process. Please follow through step 3 on pages 4-9 in TimberTech Impression Rail Express<sup>®</sup> Install Guide to build stair rail assembly prior to installing Drink Rail.

The full TimberTech Impression Rail Express<sup>®</sup> Install Guide can be found at [www.TimberTech.com](http://www.TimberTech.com).

This Installation Guide applies to the use of this product in a Drink Rail application. If you are completing a standard TimberTech railing installation, please refer to the full TimberTech Impression Rail Express<sup>®</sup> Installation Guide found at [www.TimberTech.com](http://www.TimberTech.com).



**IMPORTANT NOTES:**

Be sure to cut posts such that finished rail height is at least 36" high for a 36" rail application and 42" high for a 42" application. For a 36" application, posts typically should not be cut less than 35.25". For a 42" application posts typically should not be cut less than 41.25".

**For all rail installations, posts must be plumb and aligned with one another.**

**For Over-the-Post applications, it is also critical that Posts be of a consistent height** (e.g. the tops of all posts are level and on plane with each other).

**TIP:** To ensure that the tops of all posts are level, you may use a level panel or a string line to establish a common level across all posts and cut at that level. Alternatively, you may use a laser level to "shoot" a level mark on each post and then cut at that mark.

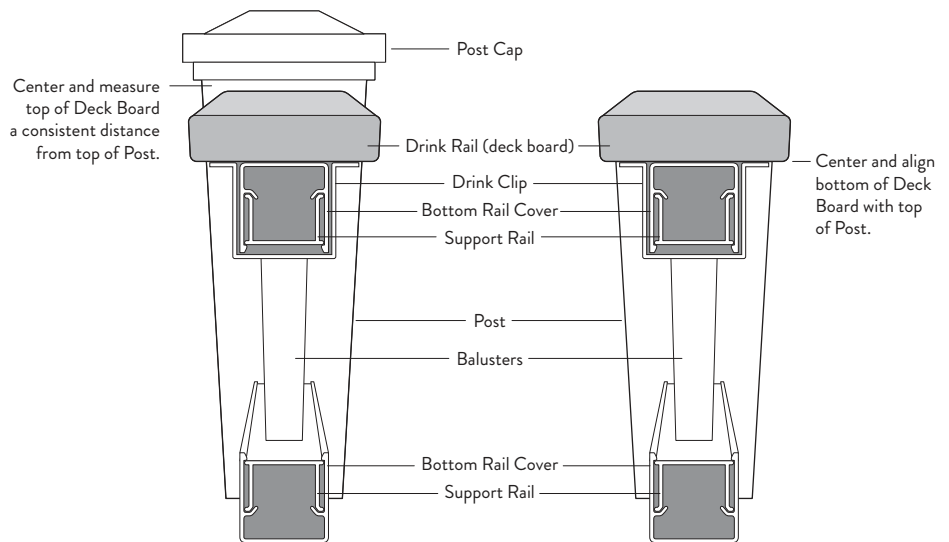
For a proper finished look on Over-The-Post Drink Rail applications, make sure Bottom Rail Cover is even with the top of the posts. Prior to installing rail assembly to Post, ensure that rail assembly is positioned (height wise) to eliminate any gaps between Deck board and Bottom Rail Cover (inverted, positioned on top). (Dia. A).

**Dia. A**

**1. BETWEEN-THE-POST APPLICATIONS**

– OR –

**2. OVER-THE-POST APPLICATIONS**



**FOR BEST RESULTS WITH OVER-THE-POST APPLICATIONS :**

As is the case when using wood, Over-the-Post applications using TimberTech deck boards in which boards are mitered in the corners or that use butt joints mid-span are susceptible to those joints opening up or separating over time with changes in temperature. While it may be impossible to completely eliminate joints from separating, there are steps you can take to minimize the separation of the joints. We recommend the following:

- A.** It is critical that all **Post heights are aligned**. In some cases, due to deck surface undulation, the length of posts will vary in order to achieve a level sight line with your top drink rail.
- B.** **Avoid using butt joints whenever possible.** Utilization of butt joints may result in gapping of boards. Good practice is to use a single 16' board rather than using two 8' deck boards
- C.** **Follow all fastener recommendations clearly.**
- D.** Before installing deck boards as drink rails, take all possible measures to **keep the temperature of the boards as low as possible**. The cooler the board at installation, the less apt joints will be to separate or gap. For best results and to minimize gapping, do not store or install deck boards in direct sunlight.
- E.** **Install all joints tight.** Unlike wood boards used in decking applications in which some spacing between boards may be recommended, there should be **NO** gap between the ends of TimberTech composite deck boards when installed as a drink rail.
- F.** **Not recommended** to use narrow width (3.5") deck boards in Over-the-Post applications.

# INSTALLING DRINK RAIL – LEVEL PANELS

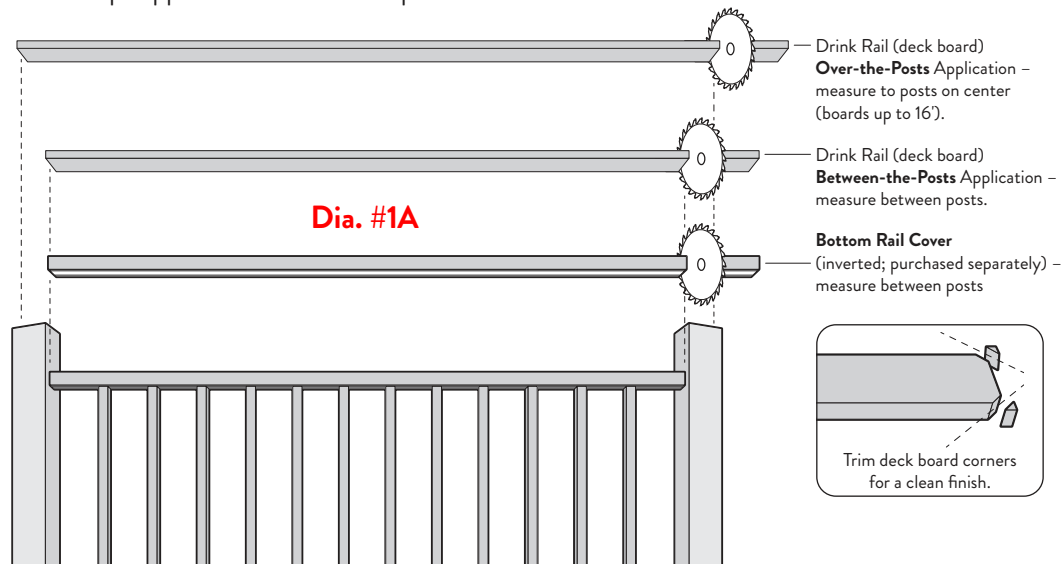
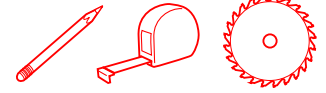
## FOR IMPRESSION RAIL EXPRESS®



### 1 CUT BOTTOM RAIL COVER AND DECK BOARD

Measure, mark and cut the Bottom Rail Cover (inverted, purchased separately) and deck board to length (Dia. #1A). For Over-the-Post applications, cut deck boards so that any seams fall at the center of a post (boards up to 16'). Miter the planks at corner posts.

For Between-the-Post applications if the deck board is wider than posts, if desired, trim deck board corners for a clean finish (Dia. #1B). If using 3 1/2" wide boards, there is no need to trim corners for composite post applications. Place the Bottom Rail Cover on the top support rail between the post sleeves.

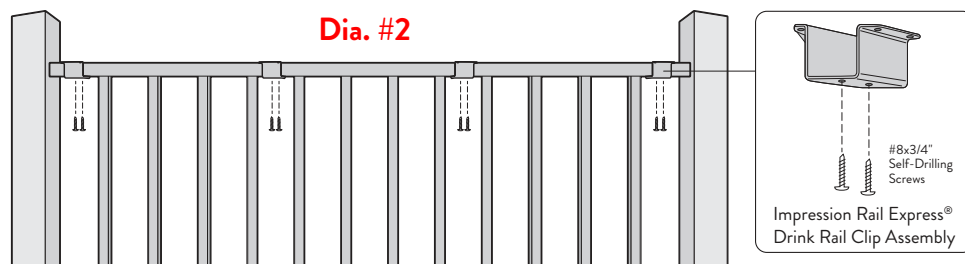
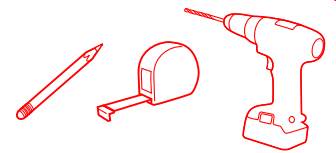


Dia. #1B

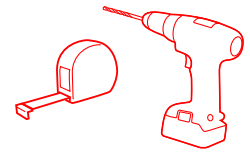
### 2 ATTACH DRINK RAIL CLIPS TO PANEL

Attach drink rail clips every 18" max by running 2 #8 3/4" TEK SS screws (from drink rail hardware) up through the clip into the rail. (Dia. #2).

- 6' panels require 4 clips, attached within the first baluster on each end and then spread equally over the length of the panel.
- 8' panels require 6 clips, attached within the first baluster on each end and then spread equally over the length of the panel.
- **For Over-the-Post applications, proceed to Step 3.**
- **For Between-the-Post applications, skip to Step 4.**



### 3 FASTEN DECK BOARD TO POSTS (OVER-THE-POST APPLICATIONS ONLY)



**⚠ IMPORTANT NOTES:**

**PRIOR TO INSTALLING DECK BOARDS:**

It is very important to have the **Bottom Rail Cover (inverted)** even with the **top of the posts** to keep from seeing gaps under the Drink Rail.

The tops of all **posts must be within 1/4"** of the tops of rail covers for proper fastening of deck boards.

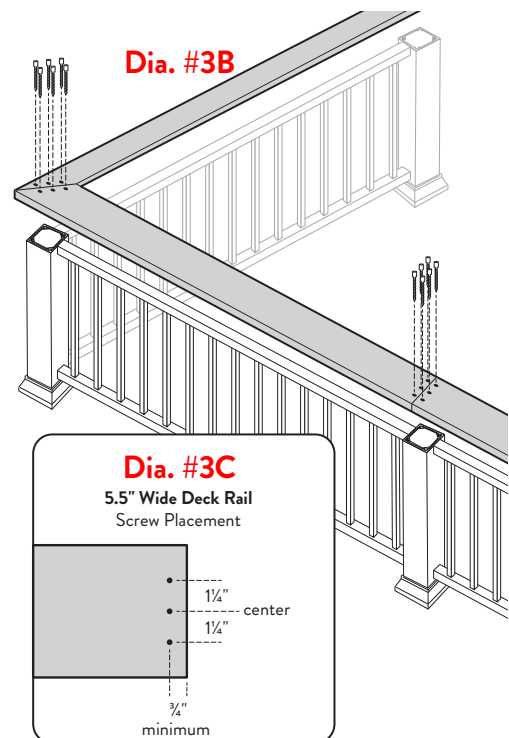
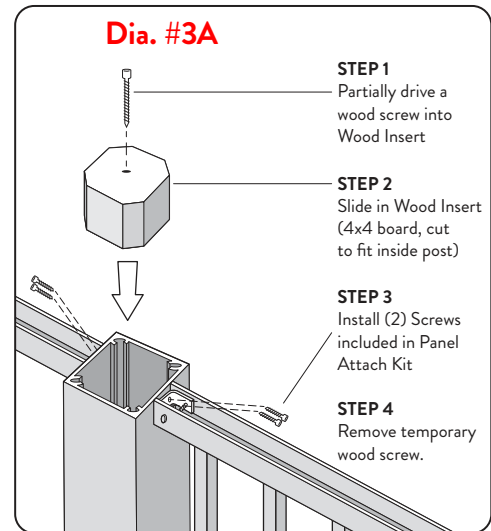
For **Over-the-Post Applications**, cut wood inserts from 4x4" wood boards to fit inside posts. Partially drive a wood screw into wood insert to hold it in place during post bracket attachment (remove afterwards). While holding wood insert, install screws (from Panel Attach Kit) through bracket and post into wood insert. (Dia. #3A)

For **Over-the-Post Applications**, fasten deck board to wood post inserts with (3) 2 1/2" length AZEK<sup>®</sup> Cortex<sup>®</sup> or TOPLoc screws on either side of the butt joint. **Fasten no closer than 3/4"** from the outside edge and ends of each plank (Dia. #3B, 3C). Make sure that boards are tight together at butt joints and no gap is left. **For proper screw placement, measure 1 1/4"** from center of board to ensure **full contact with wood post insert** (Dia. #3C).

**TIP:** Pre-drilling significantly reduces spinouts in end grain. Pre-drill through deck plank only, not into structural post. It is also suggested to drill only half way through the plank. Pre-drilling requirements vary distinctly by collection. See the Deck Install Guide for details.

**⚠ IMPORTANT NOTES:**

- Pre-drilling with a 3/16" drill bit is always required when installing Cortex or applicable TOPLOC in TimberTech PRO and EDGE full profile/solid profile decking.
- AZEK<sup>®</sup> Cortex<sup>®</sup> requires the included TORX<sup>®</sup> ttap<sup>®</sup> drive in order to set the screw to the correct depth for plugs.
- The Cortex fastener must be driven perpendicular to the deck surface for proper fit and ideal finished look.
- The cored hole must be free of debris or moisture. Use a smooth hammer head to set the Cortex plug.



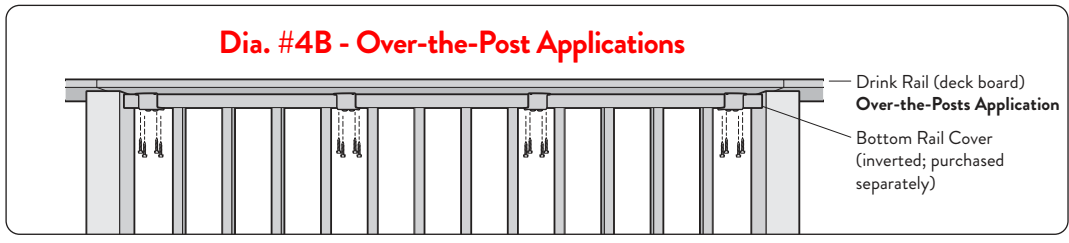
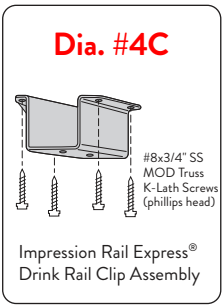
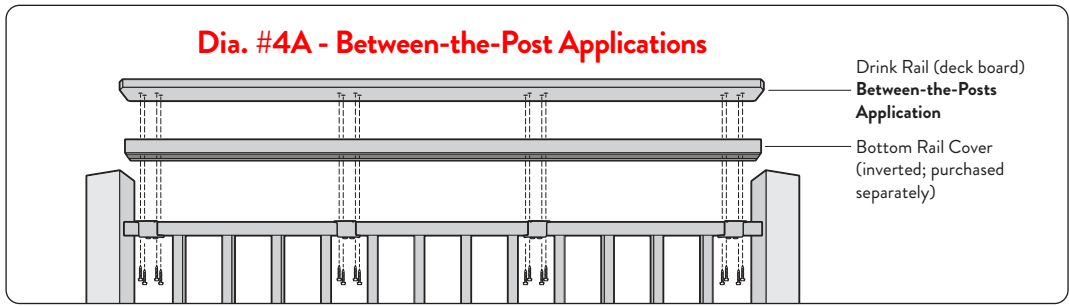
**4 ATTACH DRINK RAIL CLIPS TO DECK BOARD**



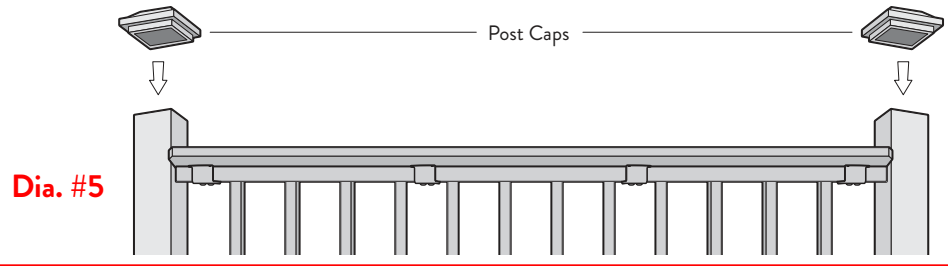
Place the Deck Board on top and centered over the Bottom Rail Cover. For both **Between-the-Post (Dia #4A)** and **Over-the-Post and Applications (Dia #4B)**, secure Drink Rail Clips to Deck Board using #8x3/4" SS MOD Truss K-Lath Screws (phillips head) included with the Drink Rail Clip Kits.

**⚠ IMPORTANT NOTE:**

Set the Drink Rail in place and use the Drink Clip holes to mark locations. Then drill 1/8" diameter hole 3/4" deep into the bottom of the deck board. Care must be taken not to drill through the top of the deck plank.



**5 ATTACH POST CAPS (BETWEEN-THE-POST APPLICATIONS)**





**These instructions cover installation of the Drink Rail (Deck board Top Rail) on Impression Rail Express® Stair Panels.**

These instructions **DO NOT** cover the entire level rail assembly process. Please follow through step 3 on pages 10-12 in TimberTech Impression Rail Express® Install Guide to build stair rail assembly prior to installing Drink Rail.

The full TimberTech Impression Rail Express® Install Guide can be found at [www.TimberTech.com](http://www.TimberTech.com).

This Installation Guide applies to the use of this product in a Drink Rail application. If you are completing a standard TimberTech railing installation, please refer to the full **TimberTech Impression Rail Express® Installation Guide** found at [www.TimberTech.com](http://www.TimberTech.com).



**IMPORTANT NOTES:**

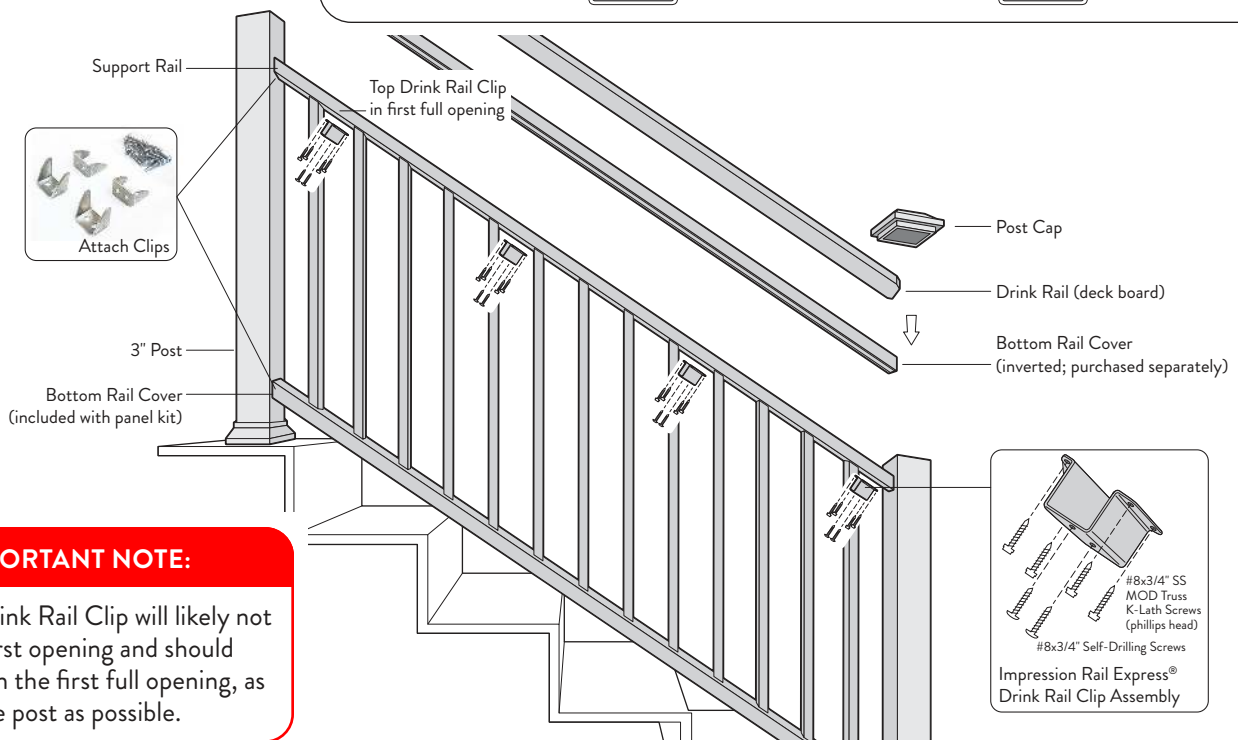
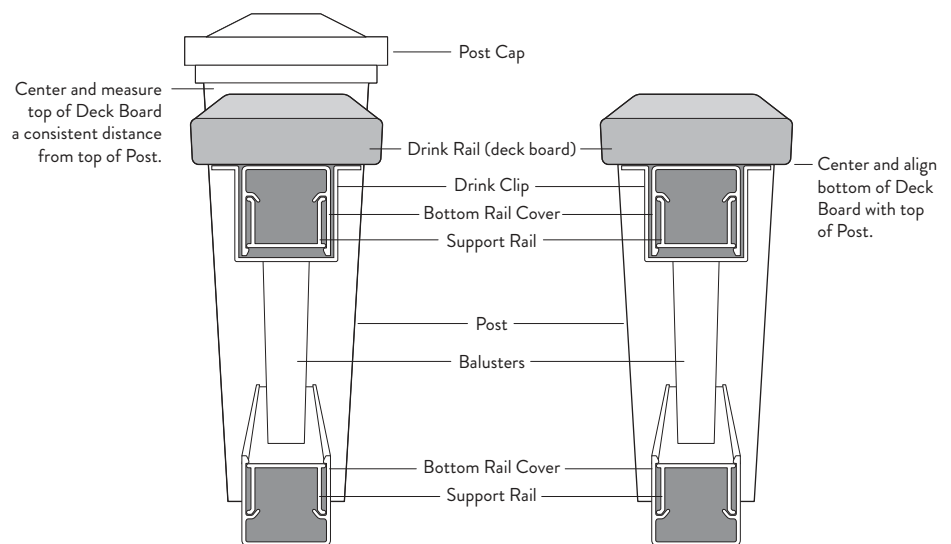
For all rail installations, posts must be plumb and aligned with one another.

For a proper finished look on Over-The-Post Drink Rail applications, make sure Bottom Rail Cover is even with the top of the posts and that posts are a consistent height. Prior to installing rail assembly to Post, ensure that rail assembly is positioned (height wise) to eliminate any gaps between Deck board and Bottom Rail Cover (inverted, positioned on top). (Dia. A)

**Dia. A**

**1. BETWEEN-THE-POST APPLICATIONS**

**2. OVER-THE-POST APPLICATIONS**



**IMPORTANT NOTE:**

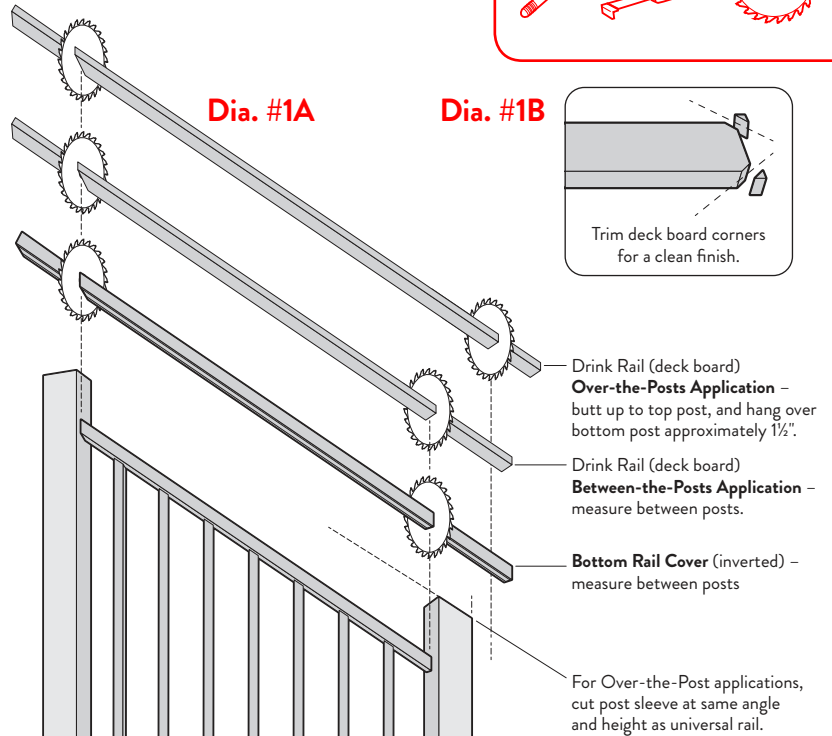
The top Drink Rail Clip will likely not fit in the first opening and should be placed in the first full opening, as close to the post as possible.



### 1 CUT BOTTOM RAIL COVER AND DECK BOARD

Measure, mark and cut the Bottom Rail Cover (inverted bottom rail cover, purchased separately) and deck board to length (Dia. #1A). For Over-the-Post applications, cut deck boards so that any seams fall at the center of a post (boards up to 16'). Miter the planks at corner posts.

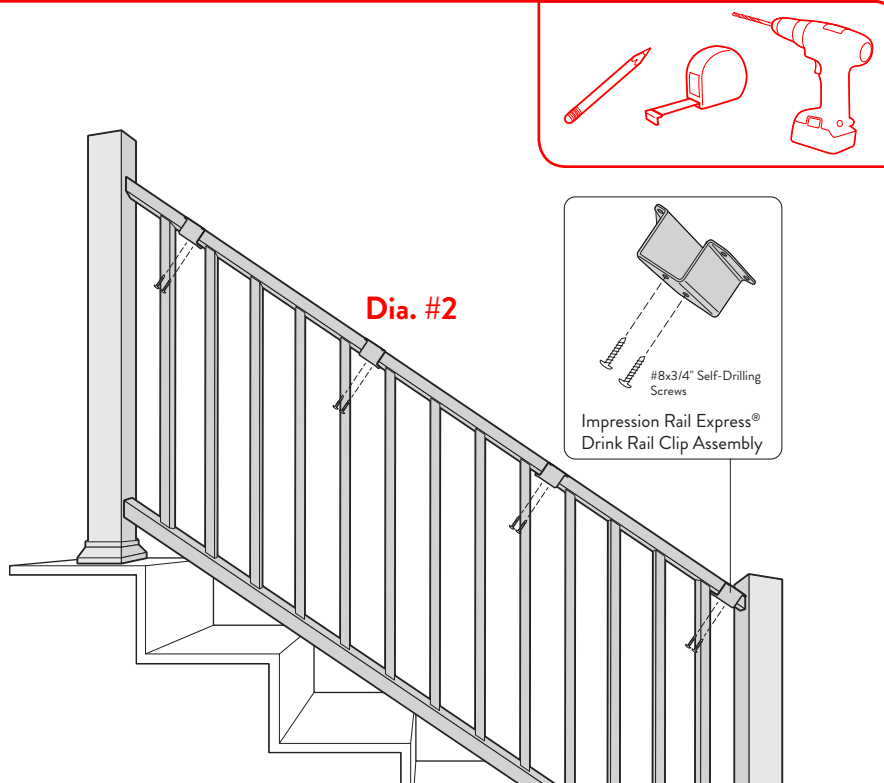
For Between-the-Post applications if the deck board is wider than posts, if desired, trim deck board corners for a clean finish (Dia. #1B). Place the Bottom Rail Cover on the top support rail between the post sleeves.



### 2 ATTACH DRINK RAIL CLIPS TO PANEL

Attach drink rail clips every 18" max by running 2 #8 ¾" TEK SS screws (from drink rail hardware) up through the clip into the rail. (Dia. #2).

- 6' panels require 4 clips, attached within the first baluster on each end and then spread equally over the length of the panel.
- 8' panels require 6 clips, attached within the first baluster on each end and then spread equally over the length of the panel.
- For Over-the-Post applications, proceed to Step 3.
- For Between-the-Post applications, skip to Step 4.



### 3 FASTEN DECK BOARD TO POSTS



#### IMPORTANT NOTES:

#### PRIOR TO INSTALLING DECK BOARDS:

It is very important to have the **Bottom Rail Cover (inverted, positioned on top)** even with the top of the posts to keep from seeing gaps under the Drink Rail.

The tops of all posts must be within ¼" of the tops of post covers for proper fastening of deck boards.

For **LEVEL Over-the-Post Applications**, cut wood inserts from 4x4" wood boards to fit inside posts. Run one 2-3" screw into the wood insert to hold it in place during post bracket attachment (remove afterwards). While holding wood insert, install screws (from Panel Attach Kit) through bracket and post into wood insert. (Dia. #3A)

For **LEVEL Over-the-Post Applications**, fasten deck board to wood post inserts with (3) 2 ½" SS Cortex or applicable TOPLOC screws (not included) on either side of a butt joint. For butt joints, install (3) screws on either side of butt joint into wood post insert. **Fasten no closer than ¾" from the outside edge and ends of each plank (Dia. #3B, 3C).** Make sure that boards are tight together at butt joints and no gap is left. **For proper screw placement, start with a screw at the center, then sink 2 more screws 1 ¼" from center of board to ensure ensure full contact with wood post insert (Dia. #3C).**

For **STAIR Over-the-Post Applications (Dia. #3D)**, fastening to posts may not be possible.

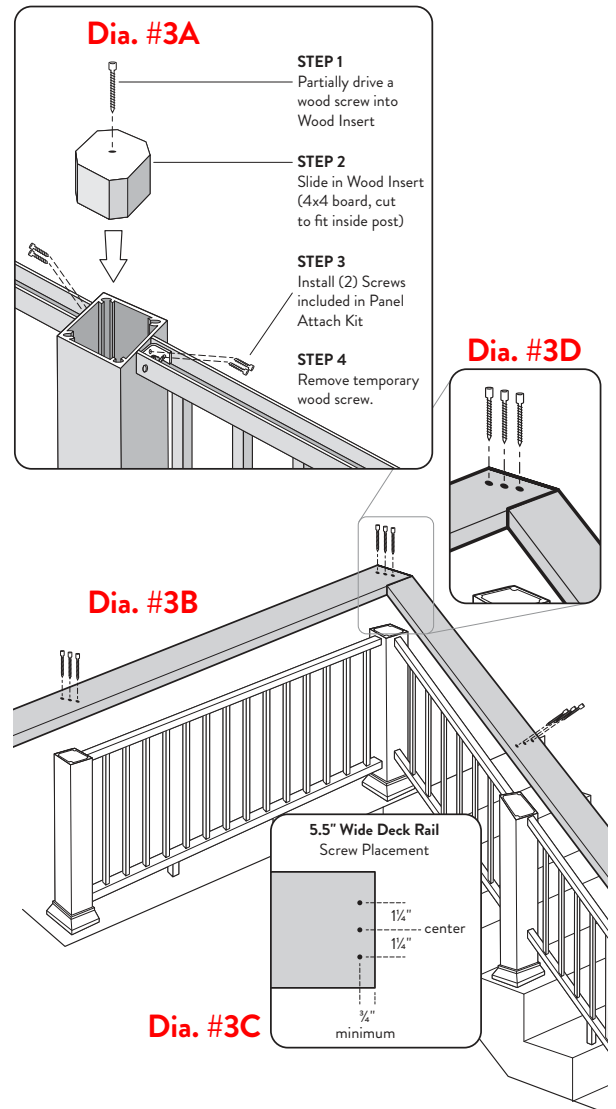
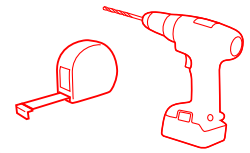
**TIP:** Pre-drilling significantly reduces spinouts in end grain. Pre-drill through deck plank only, not into structural post.

It is also suggested to drill only half way through the plank. Pre-drilling requirements vary distinctly by collection. See the full TimberTech Impression Rail Express® Install Guide for details.



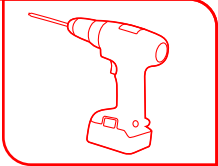
#### IMPORTANT NOTES:

- Pre-drilling with a 3/16" drill bit is always required when installing Cortex or applicable TOPLOC in TimberTech PRO and EDGE decking.
- The Cortex Setting Tool must be used to set the Cortex screw to the proper depth.
- The Cortex fastener must be driven perpendicular to the deck surface for proper fit and ideal finished look.
- The cored hole must be free of debris or moisture. Use a smooth hammer head to set the Cortex plug.
- The interaction between the deck board, screw, and plug is essential.



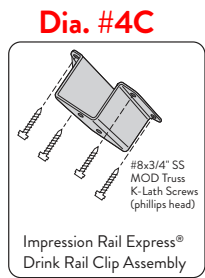
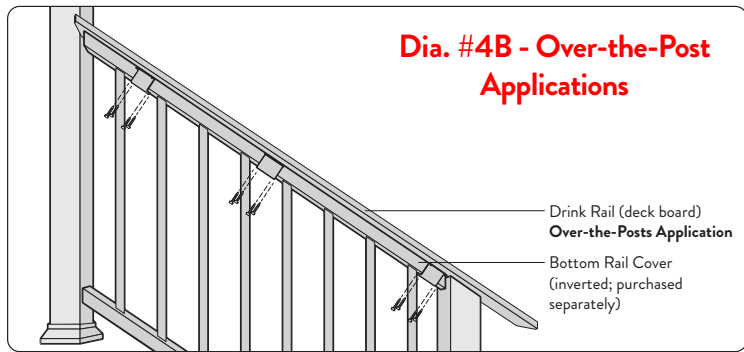
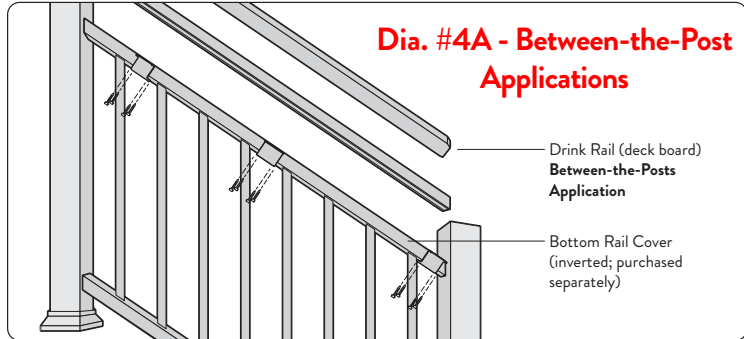
**TIP:** For stairs, it is suggested to install the Drink Rail butted to the top post and over the bottom post. This is based on the ability to anchor the Drink Rail securely at the top and bottom. (Dia. #4B)

**4 ATTACH DRINK RAIL CLIPS TO DECK BOARD**

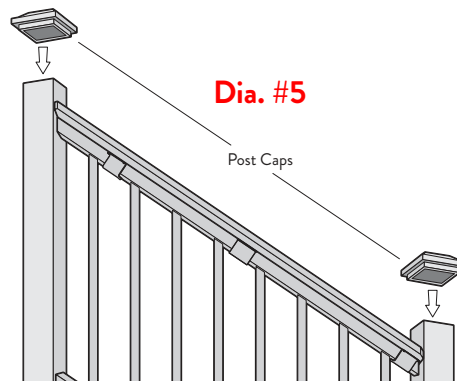


Place the Deck Board on top and centered over the Bottom Rail Cover. For both **Between-the-Post (Dia #4A)** and **Over-the-Post and Applications (Dia #4B)**, secure Deck Board and Bottom Rail Cover to Upper Support Rail using #8x3/4" SS MOD Truss K-Lath Screws (Phillips head) included with the Drink Rail Clip Kits.

**IMPORTANT NOTE:**  
Set the Drink Rail in place and use the Drink Clip holes to mark locations. Then drill 1/8" diameter hole 3/4" deep into the bottom of the deck board. Care must be taken not to drill through the top of the deck plank. (Dia. #4C)



**5 ATTACH POST CAPS (BETWEEN-THE-POST APPLICATIONS)**



**IMPORTANT NOTE:**  
The diagrams and instructions in this brochure are for illustration purposes only and are not meant to replace a licensed professional. Any construction or use of the product must be in accordance with all local zoning and/or building codes. The consumer assumes all risks and liability associated with the construction or use of this product. The consumer or contractor should take all necessary steps to ensure the safety of everyone involved in the project, including, but not limited to, wearing the appropriate safety equipment. Except as contained in the written limited warranty, The AZEK Company does not provide any other warranty, either express or implied, and shall not be liable for any damages, including consequential damages.



AZEK Building Products  
1330 W Fulton Market, Suite #350  
Chicago, IL 60607

©2019 AZEK Building Products. All Rights Reserved.

[TimberTech.com](http://TimberTech.com)