

Deck Applications

For up to 42" x 8' Rail Applications

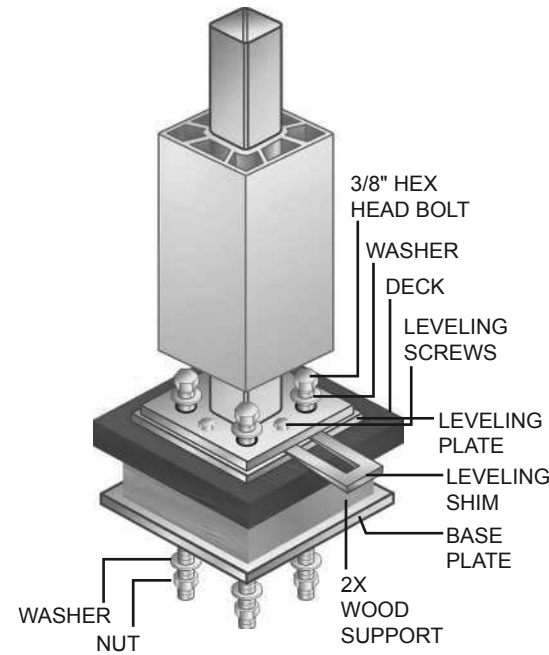
Install the Secure-Mount Post with Deck Mounting Kit that includes Leveling Plate, Base Plate, and Mounting Hardware.

Whether you are installing a 36" or 42" high railing section, the Secure-Mount Post provides the flexibility for proper attachment with its adjustable Top Mounting Block.

The Secure-Mount Post comes packaged and set for a 36" high railing application.

To use with a 42" Railing System, remove the 1-1/4" Set screw, located inside the top opening of the Top Attachment Block.

Once the set screw is removed, slide the Top Attachment Block up approximately 6" and align the bottom opening with the pre-drilled hole of the internal support post. Securely fasten the 1-1/4" set screw and you are ready for the 42" installation.

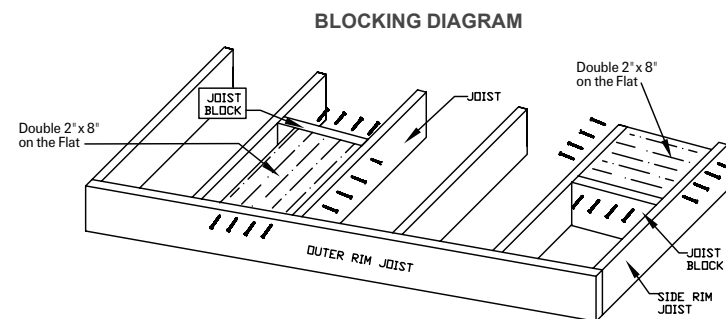


1 Determine Post Location

The secure-mount post should be placed at 72" on center when installing a 6' rail sections and 96" on center when installing an 8' rail section.

2 Install Blocking

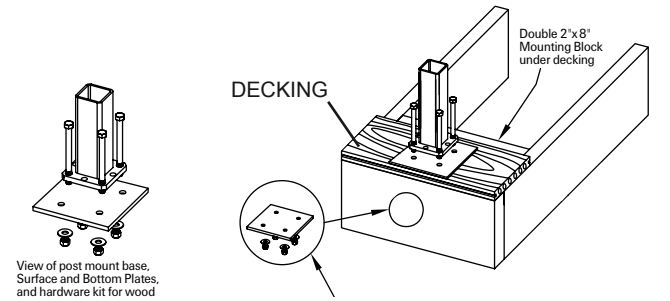
Once you have determined the layout for the Secure-Mount Posts on the deck's substructure, you will need to install blocking between the designated joists.



3 Attach Post

Once the TimberTech or AZEK decking has been installed and the blocking is in place, use the base plate of the Secure-Mount Post as a template and mark the four corner holes for the 3/8" x 5-1/2" Hex Head Bolts.

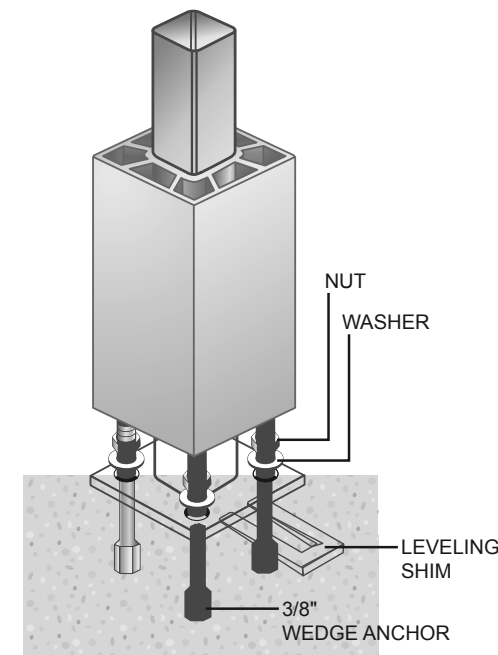
- Drill four 7/16" holes through the marked holes, drilling through the deck plank and the reinforcement blocking below.
- Align the leveling plate over the drilled holes.
- Take the Secure-Mount Post and place it on the leveling plate lining up the holes.
- Screw the 5/16" leveling set screws into the four tapped holes.
- Insert the four 3/8" x 5-1/2" bolts into the drilled 7/16" holes.
- Position the Base Plate under the deck, aligned with the bolts.
- Using the provided washers and 3/8" nuts, securely tighten all four bolts.
- If needed, adjust the leveling set screws to plumb the Secure Mount Post.
- For corner post installations, use the off-set holes of the base plate.



Once the Secure-Mount Post is securely attached, trim the Post Cover to the desired height and slide it over the post to begin rail section installation.

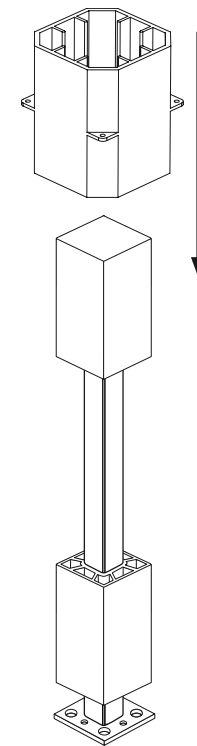
Concrete Mount Application (hardware not included)

- For up to 42" x 8' Rail Applications
Install using Secure Mount Post.
- 3/8" Diameter Wedge Anchor recommended for concrete applications.



6" Adaptor

- Slide both 6" Adaptors over the 4" blocks on the Secure Mount Post and secure.





TimberTech
894 Prairie Avenue • Wilmington, OH 45177
www.timbertech.com • 1.800.307.7780

AZEK Building Products, Inc.
888 North Keyser Avenue • Scranton, PA 18504
www.AZEK.com • (877) ASK-AZEK (877) 275-2935

TIMBERTECH.COM
AZEK.COM